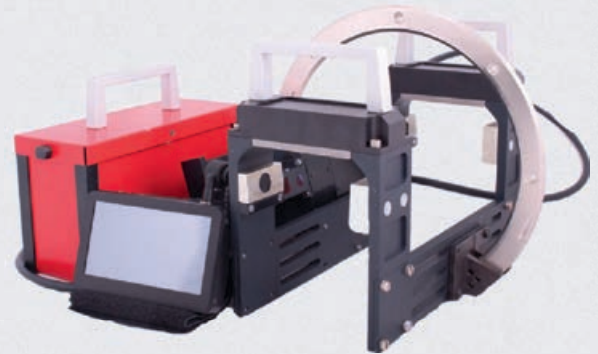


Portable laser rail profilometer (PRP) is designed for non-contact registration of cross-section of the railhead acting face.

The main functions of PRP are:

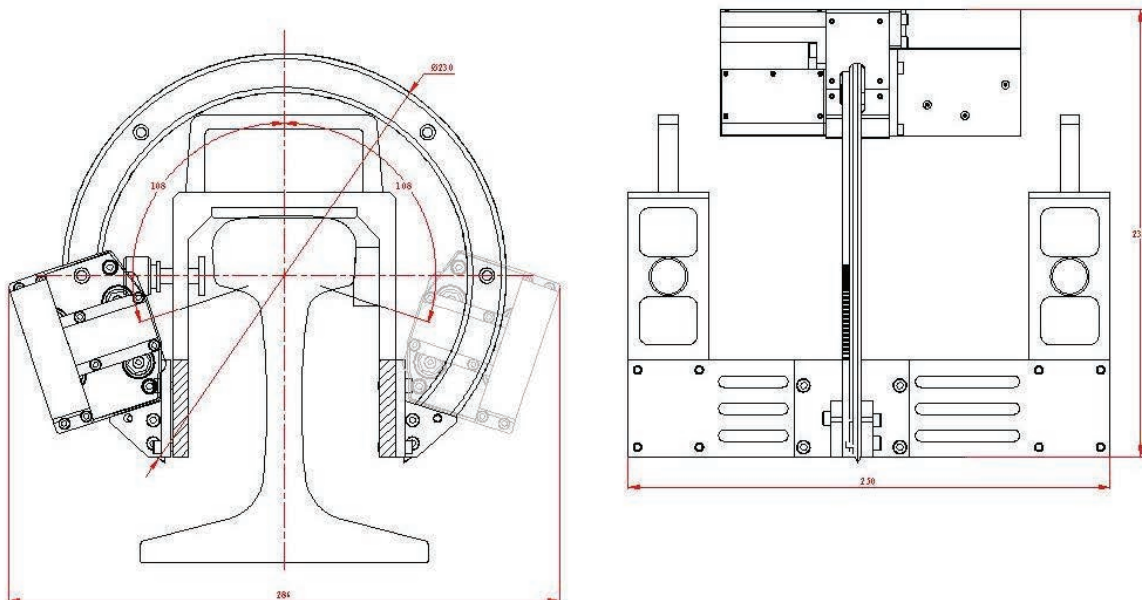
- obtaining the information on the cross-section profile of the working railhead surface;
- full profile scanning and analyze of the railhead acting face;
- visualization of the combined graphical images of actual and new crosssection.



Basic Technical Data

Name of parameter	Value
Railhead vertical wear, mm	-5,0 ...+14,0
Lateral railhead wear, mm	-5,0...+18,0
Redused railhead wear, mm	Up to 14,0
Scanning angle inside the rail track, degrees	108
Scanning angle outside the rail track, degrees	108
Inaccuracy, not more than, mm	±0.1
Scanning time, sec	3
Digital readout device dimensions, mm	see Fig.5
Dimensions of laser scanning, mm	see Fig.3
Power supply, laser module	4,8V, 4 rechargeable batteries, tipe AA, 1,2V
Power supply, PDA	3,7V Lithium-polymer batteries, 3300mAh
The number of measurements that can be taken before battery recharge is not less than	1000
PDA memory capacity, no less	100 000 measurements
Interface to PC	Bluetooth

Overall dimension



■ Measurement Instruments for Railway Transport



■ Contacts



ISO 9001:2008 Quality System

RIFTEK Ltd.
22-311, Logoisky tract,
220090, Minsk,
Republic of Belarus

Tel/Fax: +375 17 281-35-13
Email: info@riftek.com
sales@riftek.com
Site: www.riftek.com